

Watermarked T Handle Gate Valve

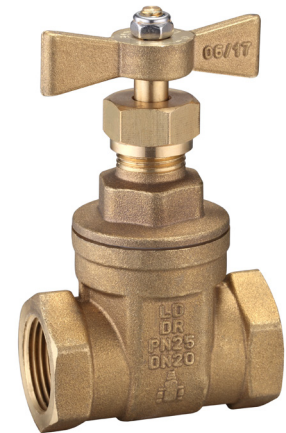
Specifications

Working temperature -20°C to 120°C

Maximum pressure rating 2500 KPa

Sizing Chart (MM)

	L1	L2	H1	H2	W	TH1	TH2
GV15	57	60	84	99	28	Rp 1/2"	Rp 1/2"
GV20	62	60	93	112	34	Rp 3/4"	Rp 3/4"
GV25	70	60	104	128	40	Rp 1"	Rp 1"
GV32	80	108	122	150	51	Rp 1 1/4"	Rp 1 1/4"
GV40	88	108	137	160	57	Rp 1 1/2"	Rp 1 1/2"
GV50	95	108	154	189	70	Rp 2"	Rp 2"
GV65	117	140	188	231	86	Rp 2 1/2"	Rp 2 1/2"
GV80	140	140	207	261	101	Rp 3"	Rp 3"
GV100	166	140	260	324	125	Rp 4"	Rp 4"



Watermark approved

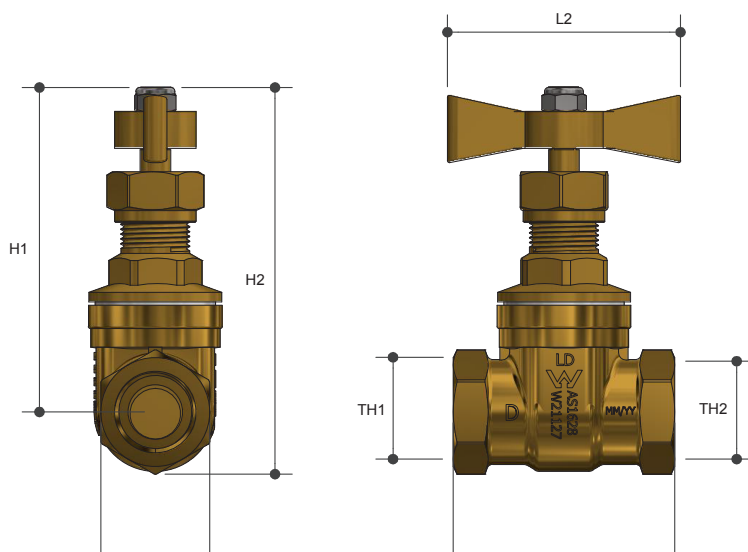
DR Brass

Full bore

100% pressure tested

Available in sizes 15mm to 100mm

Tested and certified to AS 1628



Material Chart

Part	Material
Body	DR Brass
Cover	DR Brass
Gate	DR Brass
Stem	DR Brass
Lock Nut	DR Brass
Packing Gland	PTFE
Gasket	PTFE
Hex Cap	Stainless Steel
Nut	Brass
Handle	DR Brass