

Model WM-G01 Watermark OS&Y Gate Valve - Roll Groove

- Resilient Seated Outside Screw and Yoke (Rising Stem)
- Epoxy Coated Interior and Exterior
- Pre-Grooved stem for Supervisory Switch installation
- Drilled, Tapped and Plugged at Boss location 'A'.
- Conforms to AWWA C509
- Grooves conform to AWWA C606
- Max Non-Shock Working Pressure - 300psi / 2068k
- Max Operating Temperature - 160F / 71c
- Watermark License No. 74625
- Additional Approvals - UL, FM, WRAS and CE

1	VALVE BODY	DUCTILE IRON ASTM A 536
2	WEDGE	DUCTILE IRON ASTM A 536+EPDM
3	WEDGE NUT	CUSN5ZN5PB5 BRONZE ASTM B 584
4	DOWEL PIN	STAINLESS STEEL ASTM A 276
5	O-RING	EPDM RUBBER ASTM D 2000
6	STEM	AL BRONZE C61400 OR STAINLESS STEEL SS304
7	BONNET GASKET	RUBBER ASTM D2000
8	SOCKET HEAD CAP SCREW	CS ASTM A307
9	BONNET	DUCTILE IRON ASTM A 536
10	STUFFING	RUBBER ASTM D 2000
11	THREADED	CS ASTM A307
12	STUFFING BUSHING	BRONZE ASTM B 584
13	STUFFING GLAND	DUCTILE IRON ASTM A 536
14	NUT	BRASS ASTM B16-H02
15	SOCKET HEAD CAP SCREW	CS DIN 9021 B
16	YOKE	DUCTILE IRON ASTM A 536
17	FLAT HEAD SCREW	CS ASTM A307
18	YOKE BUSH RETAINER	GRAY IRON ASTM A126-B
19	HANDWHEEL	DUCTILE IRON ASTM A 536
20	STEM NUT	CUSN5N5PB5 BRONZE ASTM B 584
21	HANDWHEEL NUT	CS ASTM A194-2H
22	PIPE PLUG	MALLEABLE IRON ASME B16.14

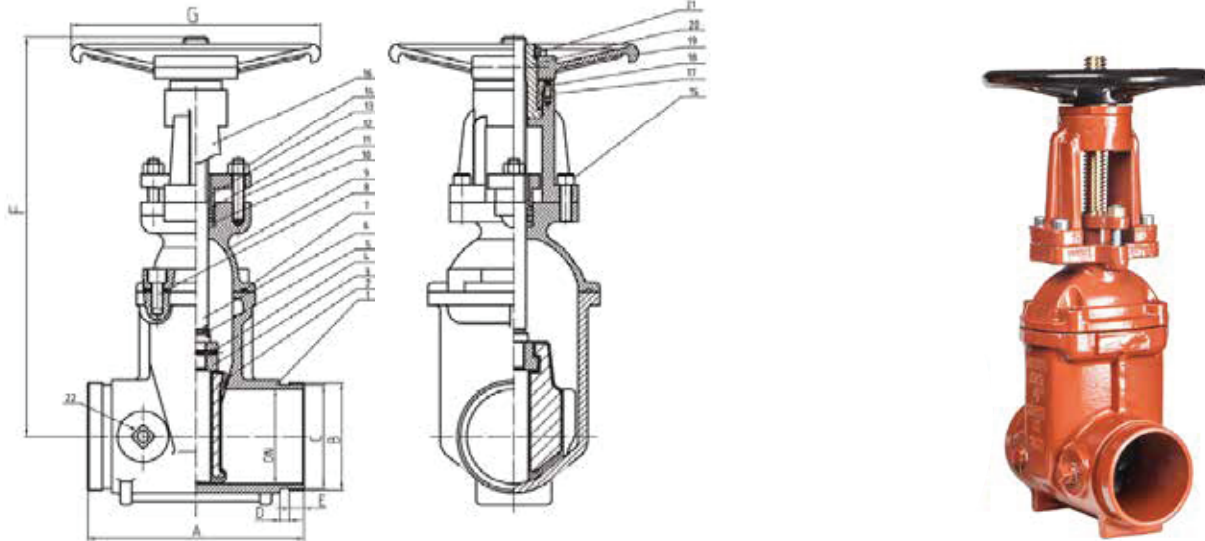


AS/NZS 2638.2
License No.
WM 74625
ApprovalMark



HYDROFLOW

DISTRIBUTORS (AUST) PTY LTD



WM-G01

Size	A	B	C	D	E	F		B1	C1	N	Φ D	G	TURNS TO OPEN	WEIGHT
						OPEN	CLOSE							
mm	mm	mm	mm	mm	mm	mm	mm	mm	mm		mm	mm		kg
80	203	88.9	84.5	7.95	15.88	515	434	191	19	4	19	200	10	19.8
100	229	114.3	109.6	9.53	15.88	562	462	229	24	8	19	260	10	28.6
150	267	165.1	160.9	9.53	15.88	747	597	279	25.4	8	23	315	15	53
150	267	168.1	163.4	10	15.4	747	597	279	25.4	8	23	315	15	55
200	292	219.1	213.8	11.13	19.05	934	727	343	28.6	8	23	375	16.7	89
250	330	273	267.6	12.7	19.05	1147	891	406	30.2	12	26	416	20.8	141
300	356	323.9	317.5	12.7	19.05	1326	1020	483	32	12	26	445	25	204

* Electrostatically applied fusion-bonded epoxy coated inside and outside per AWWAC-550.

Freezing weather precaution: subsequent to testing a piping system, gate valve should be in an open position to allow complete drainage.



AS/NZS 2638.2
License No.
WM 74625
ApprovalMark



Hydroflow Distributors (Aust) Pty Ltd

24 Harcourt Road, Altona, VIC, 3018. T +613 8369 9500 Ph 1300 493 359