

Model WM-F01 Watermark OS&Y Gate Valve - Flanged Table E

- Resilient Seated Outside Screw and Yoke (Rising Stem)
- Epoxy Coated Interior and Exterior
- Pre-Grooved stem for Supervisory Switch installation
- Drilled, Tapped and Plugged at Boss location 'A'.
- Conforms to AWWA C509
- Flange ends conform to ASME B16.1 Class 125
- Max Non-Shock Working Pressure - 300psi / 2068k
- Max Operating Temperature - 160F / 71c
- Watermark License No. 74625
- Additional Approvals - UL, FM, WRAS and CE

1	VALVE BODY	DUCTILE IRON ASTM A 536
2	WEDGE	DUCTILE IRON ASTM A 536+EPDM
3	WEDGE NUT	CUSN5ZN5PB5 BRONZE ASTM B 584
4	DOWEL PIN	STAINLESS STEEL ASTM A 276
5	O-RING	EPDM RUBBER ASTM D 2000
6	STEM	AL BRONZE C61400 OR STAINLESS STEEL SS304
7	BONNET GASKET	RUBBER ASTM D2000
8	SOCKET HEAD CAP SCREW	CS ASTM A307
9	BONNET	DUCTILE IRON ASTM A 536
10	STUFFING	RUBBER ASTM D 2000
11	THREADED	CS ASTM A307
12	STUFFING BUSHING	BRONZE ASTM B 584
13	STUFFING GLAND	DUCTILE IRON ASTM A 536
14	NUT	BRASS ASTM B16-H02
15	SOCKET HEAD CAP SCREW	CS DIN 9021 B
16	YOKE	DUCTILE IRON ASTM A 536
17	FLAT HEAD SCREW	CS ASTM A307
18	YOKE BUSH RETAINER	GRAY IRON ASTM A126-B
19	HANDWHEEL	DUCTILE IRON ASTM A 536
20	STEM NUT	CUSN5ZN5PB5 BRONZE ASTM B 584
21	HANDWHEEL NUT	CS ASTM A194-2H
22	PIPE PLUG	MALLEABLE IRON ASME B16.14

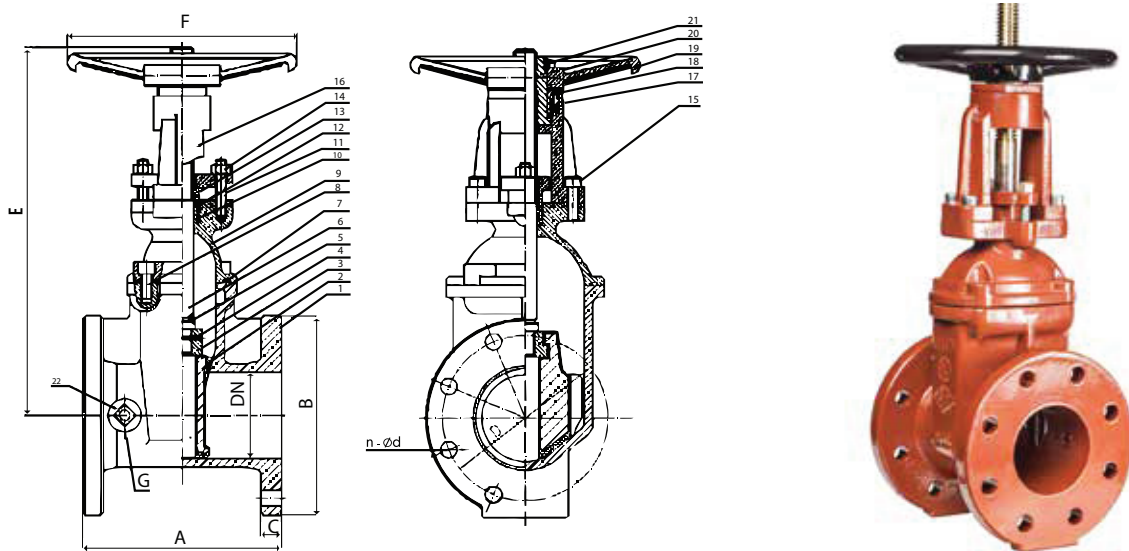


AS/NZS 2638.2
License No.
WM 74625
ApprovalMark



HYDROFLOW

DISTRIBUTORS (AUST) PTY LTD



WM-F01

Size	A	B	C	D	E		N	φ D	F	TURNS TO OPEN	WEIGHT
					OPEN	CLOSE					
mm	mm	mm	mm	mm	mm	mm	mm	mm	mm		kg
80	203	191	19	152.5	515	434	4	19	200	10	21.3
100	229	229	24	190.5	562	462	8	19	260	10	34.6
150	267	279	25.4	241.5	747	597	8	23	315	15	61
200	292	343	28.6	298.5	934	727	8	23	375	16.7	102.5
250	330	406	30.2	362	1147	891	12	26	416	20.8	149.5
300	356	483	32	432	1326	1020	12	26	445	25	221.2

Electrostatically applied fusion-bonded epoxy coated inside and outside per AWWAC-550.

Drilled, tapped and plugged at Position A with 1/2" valve sizes 2 1/2"-4", 3/4" on 6"-8", 1" on 10"-12".

Freezing weather precaution: subsequent to testing a piping system, gate valve should be in an open position to allow complete drainage.



AS/NZS 2638.2
License No.
WM 74625
ApprovalMark



Hydroflow Distributors (Aust) Pty Ltd

24 Harcourt Road, Altona, VIC, 3018. T +613 8369 9500 Ph 1300 493 359