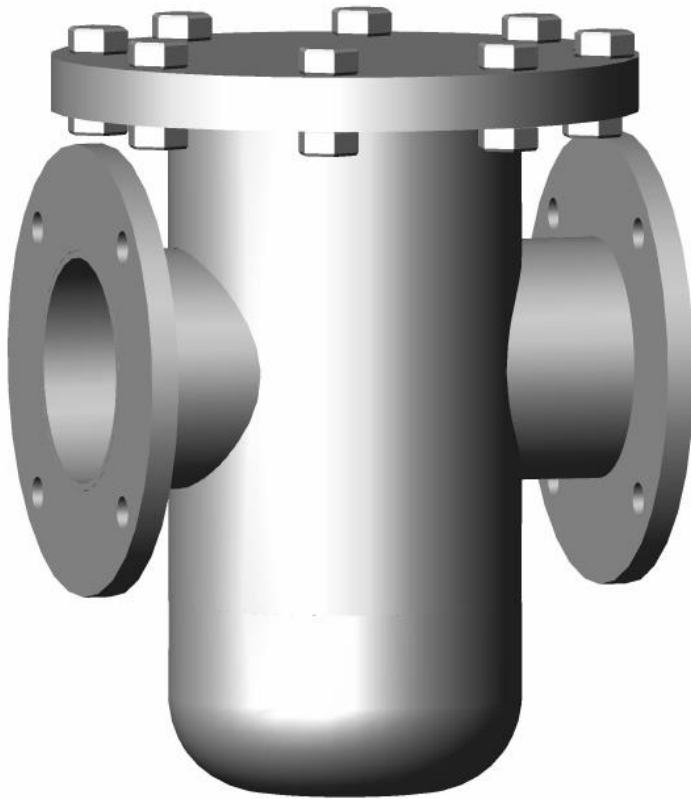


Hydromet Pipework

Model Flat Top Strainer



Features:

- Manufactured from 316 Stainless Steel (316S/S) in Sch. for superior corrosion resistance.
- Available with or without drain socket.
- Equipped with AS4087 PN16 or AS2129 T/E flanges for reliable connections.
- Custom lengths available to suit pre-existing arrangements.
- Batch tested, ensuring consistent quality and performance through rigorous testing.
- All welds undergo pickling and passivation for enhanced durability and longevity.
- Designed and manufactured to AS4020 standards for safety and reliability.

General Application

Flat Top Basket Strainers are constructed from 316 stainless steel, they offer exceptional strength, durability, and corrosion resistance. It uses a diamond perforated mesh with 4.76mm diameter holes. Available with optional BSP drainage sockets for easy flushing of debris.

Technical Data

Size Range: DN 50 – 200

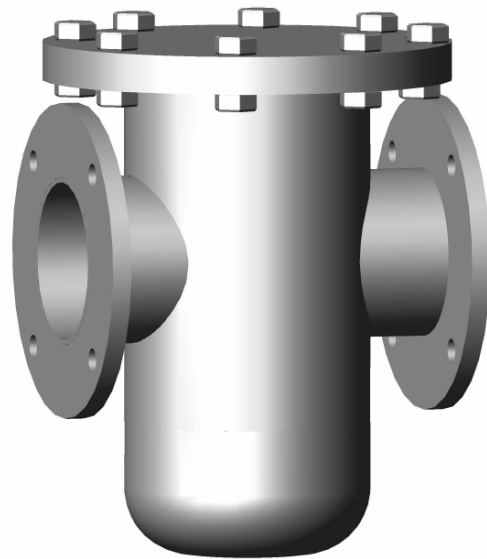
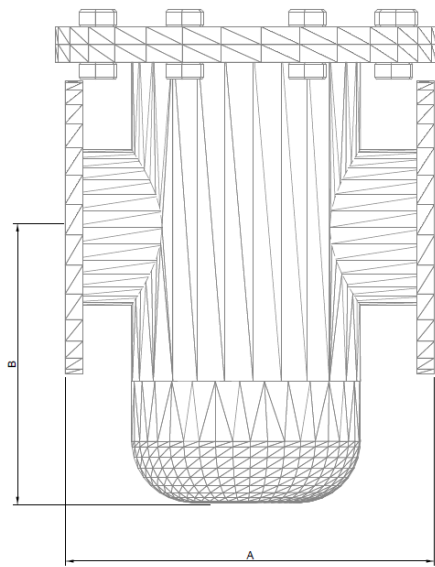
End Connections: AS4087 PN16 or AS2129 T/E

Pressure Rating: PN16

Temperature Rating: 60°C

Hydromet Pipework

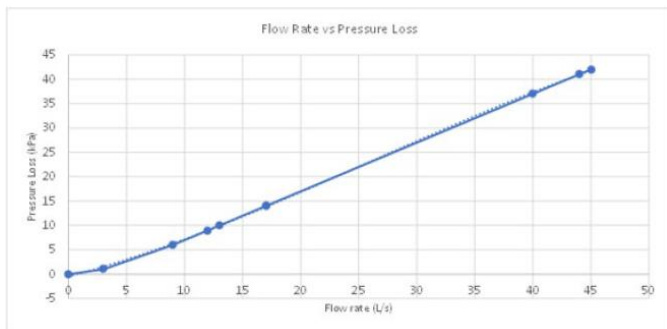
Model Flat Top Strainer



Product Code	Strainer Size (DN)	A	B	Flange Connection
STRFT050	50	200mm	80mm	T/E
STRFT065	65	200mm	150mm	T/E
STRFT080	80	200mm	150mm	T/E
STRFT100	100	260mm	203mm	AS4087 PN16 or T/E
STRFT150	150	380mm	300mm	AS4087 PN16 or T/E
STRFT200	200	495mm	325mm	AS4087 PN16 or T/E

Flow Loss

100mm



150mm

