

Metcheck Backflow Preventers

Model MiniMet

Single Check Valves suitable for low hazard-rated applications.



Features

316 Stainless Steel Body for superior Corrosion Resistance.

Designed & Manufactured in accordance with AS/NZS 2845.1.

Australian Made and Manufactured

Every valve is tested and tracked using unique serial numbers.

For Horizontal & Vertical installations.

Coupling design allows for easy servicing.

General Application

The MiniMet SCV valve safeguards potable water from contamination by preventing back siphonage and backpressure. It is ideal for use in low-hazard applications and is designed for reliability. It also ensures compliance with stringent water safety standards.

Technical Data

Size Range: DN65 – DN150

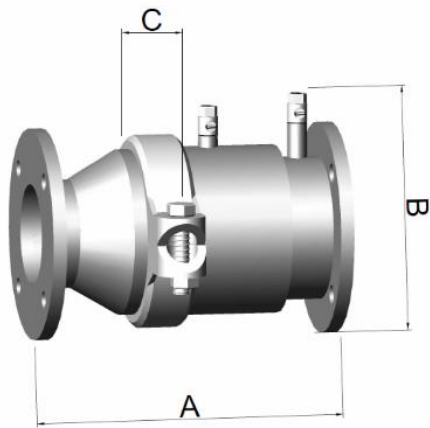
Temperature Rating: 1°C to 60°C

Working Pressure: PN16

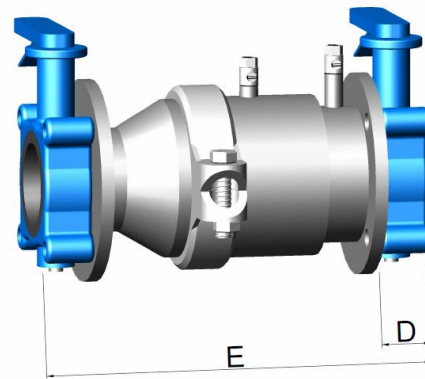
Flanged Connections: AS4087 PN16 & AS2129 Table E

MetCheck Backflow Preventers

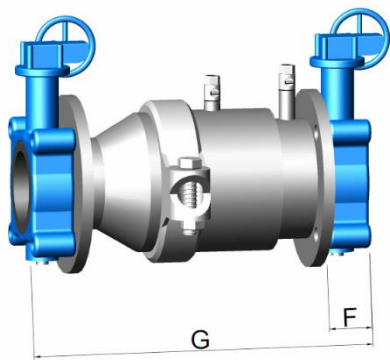
Model MiniMet



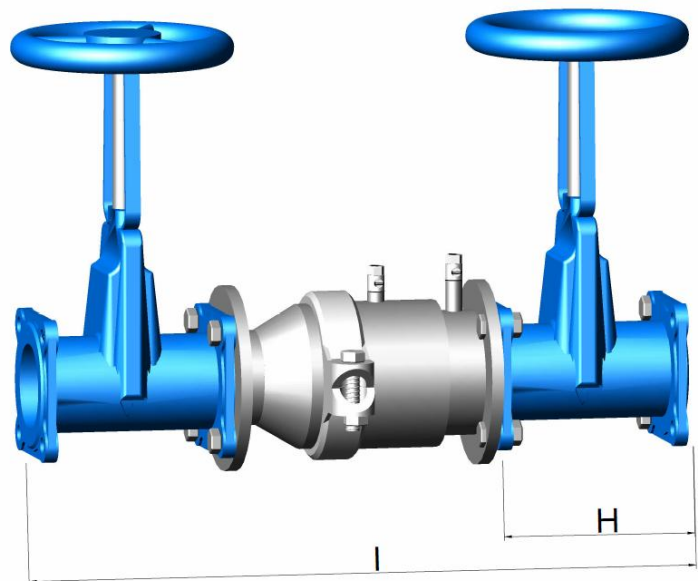
1 Valve Only Illustrated



2 Butterfly valve (BFV) arrangement Illustrated



4 Gear Operated (G/OP) arrangement Illustrated



3 Resilient seated gate (RSGV) valve arrangement illustrated.

MiniMet SCV Dimensions

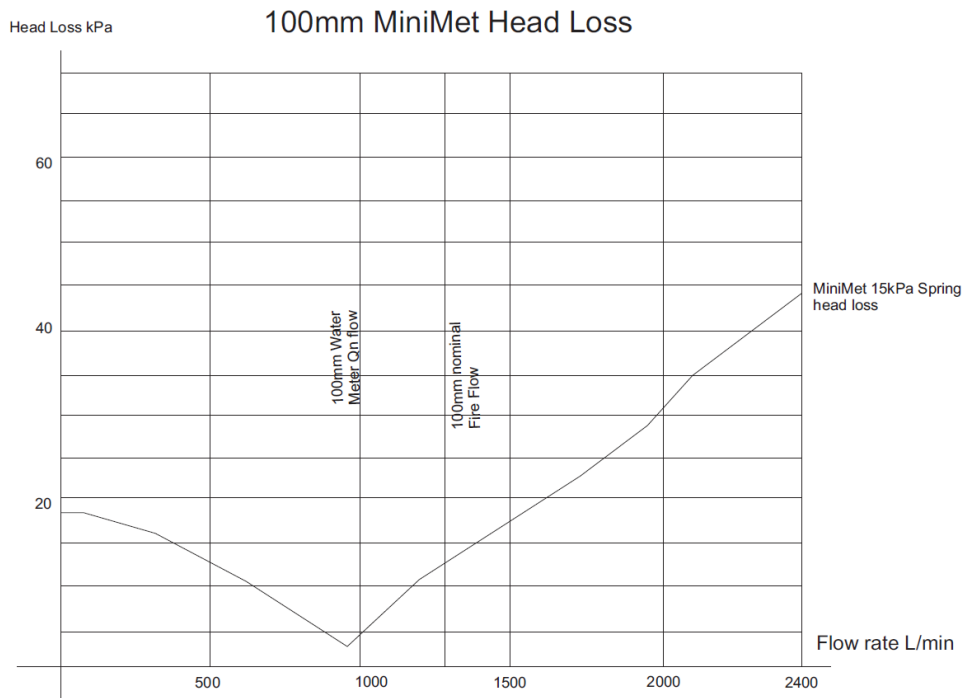
Valve Size (DN)	A (mm)	B (mm)	C (mm)	D (mm)	E (mm)	F (mm)	G (mm)	H (mm)	I (mm)
65	330	260	280	45	420	45	420	190	635
80	330	260	280	45	420	45	420	203	742
100	330	260	280	52	434	52	434	229	794
150	545	300	410	56	657	56	657	267	1085

MetCheck Backflow Preventers

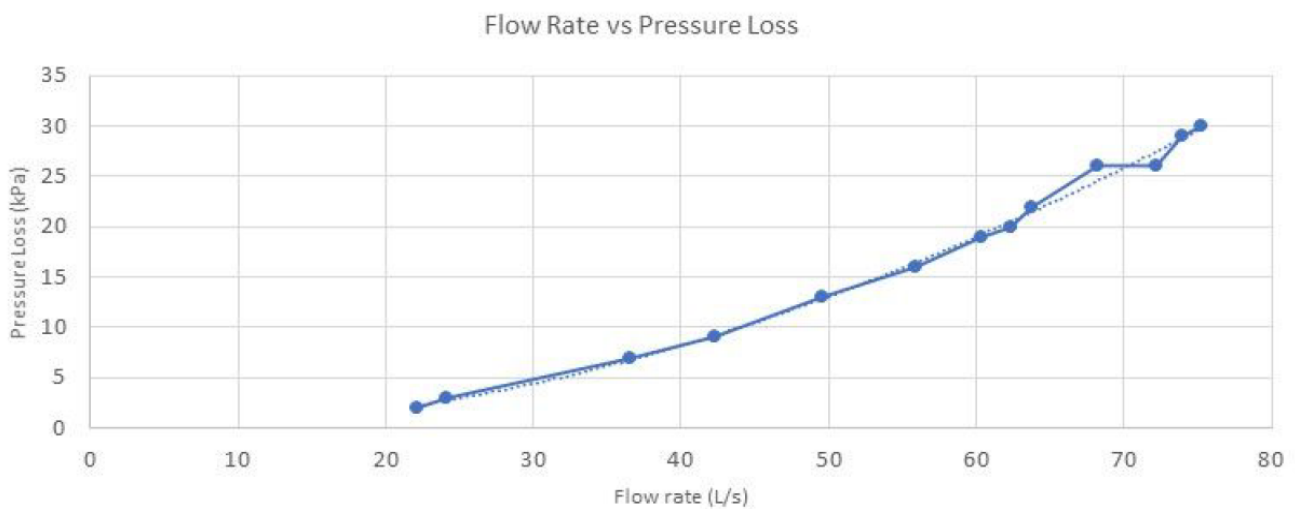
Model MiniMet

Typical Flow Characteristic Graphs

DN100 Valves



DN150



MetCheck Backflow Preventers

Model MiniMet

Installation Instructions:

- MetCheck & MiniMet Valves to be installed by a licensed plumber. Appropriate PPE (Personal Protection Equipment), should be worn by those installing.
- All site risk assessments should be carried out before attempting to install. Installation should be carried out in accordance with AS3500.1, the plumbing and drainage code.
- The MetCheck & MiniMet should be installed in accordance with the direction of flow arrow, relative to the direction of flow of the water. All end connection bolts should be tightened appropriately to overcome leaks.
- Minimum clearance: 300mm. Minimum Clearance from the Bottom of the valve.
- Isolation valves should be installed immediately upstream and downstream of MetCheck's and MiniMet's.
- Strainers are not normally used in main pipelines for fire situations.
- Dual-use fire and domestic installs may have an option inline strainer to protect the check valve componentry.

Commissioning Instructions:

- MetCheck & MiniMet Valves should be installed by a licensed plumber, with a license endorsed for backflow prevention.
- Commissioning and testing should be conducted in accordance with AS2845.3 Backflow Prevention Devices Field Test.
- Commissioning should be carried out after installation and prior to allowing normal water flow through the valve for consumption use.

Electrolysis & Earthing Requirement:

- All stainless steel MiniMet and MetCheck valves must be earthed to ground at installation and commissioning.
- Failure to correctly earth the valve may result in electrolysis damage, which is not covered under warranty.

Maintenance Instructions:

MetCheck & MiniMet Valves should be maintained by a licensed plumber, with a license endorsed for backflow prevention.

Any commissioning and testing after maintenance, should be conducted in accordance with AS2845.3-2010, by a licensed plumber

MetCheck Backflow Preventers

Model MiniMet

Maintenance is based upon the need for maintenance determined by the annual testing standards as per AS2845.3- 2010.

If the main check valve does not meet the minimum test requirements as per AS2845.3- 2010, then the fault should be found and rectified.

Fault Finding

If the differential pressure is holding, but below the differential pressure pass rate, typically the check module spring has become weak. If the differential pressure drops to zero, typically the check module rubber seals are leaking.

Identifying which check valve needs maintenance, the individual check module should be removed, and parts cleaned or replaced as necessary.

Often a good flush at high flow will clear any lingering debris, and may fix the problem. Retest after flushing.

Maintaining the 1st Check Modules:

When performing maintenance on the Metcheck RPZ valves, it is important to first remove the Relief valve hose connection, to allow the bodies to move separately.

For maintenance on the main check modules, remove the Victaulic roll grove fittings.

Once the couplings are removed, slide the sealing ring to one side of the joint.

Inside the MetCheck RPZ, the center vessel and inlet sides contain the check modules. It is crucial to support the valve during this process so that the centre vessel does not drop to the ground and cause any damage.

By removing the Centre vessel this will expose both the 1st & 2nd check modules.

Locate the circlip and spacer at the back end of the module, and remove both.

Pull out the check module. This should come out by hand but may require a slight tap from the front of the check body.

If the check module needs to be maintained, remove the four nuts at the back of the check module using a **ring spanner** (A This will prevent the nuts from distortion and allow for them to be re-installed once maintenance is complete).

Once the four nuts have been removed, maintenance can now be performed on the check module.

Reassembly is the opposite of disassembly.

MetCheck Backflow Preventers

Model MiniMet

Spare Parts:

1st Check:

- 1st Check Rubber Rebuild Kit Includes: Check Disc, Seat O-Ring and Cover O-Ring
- O-Ring seals for Check Modules.
- Complete module, 15kpa nominal
- Complete module, 50kpa nominal
- Circlip
- Spacer