

SPECIFICATION SHEET

MasterSeries® 850 Double Check Valve Assemblies

Size: 65mm - 250mm

The FEBCO Master Series® 850 Double Check Valve Assemblies are designed for non-health hazard applications.
End Connections – Flanged AS2129-Table E.

Pressure – Temperature

Max. Working Pressure:	12.1 bar
Hydrostatic Test Press:	24.1 bar
Min. Working Press:	0.7bar
Temperature Range:	0.5°C to 60°C

Materials

Main Valve Body:	Ductile iron Grade 65-45-12
Coating:	Fusion epoxy coated internal and external AWWA C550-90
Shutoff Valves:	NIA.
Trim:	Bronze
Elastomer Discs:	EPDM
Spring:	Stainless steel
Clamp:	AWWA C606 (250mm only)

Approvals – Standards

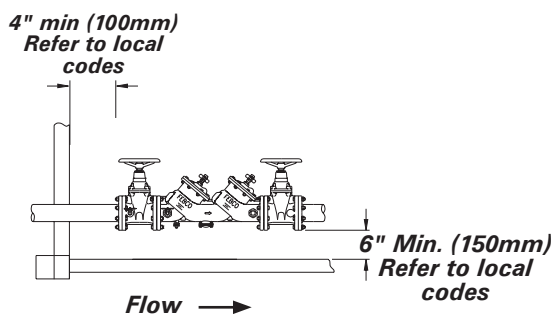
- AS 2845-1-2010. Certificale WMKA 1049



WaterMark

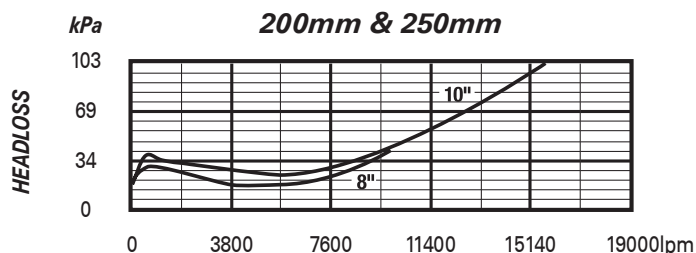
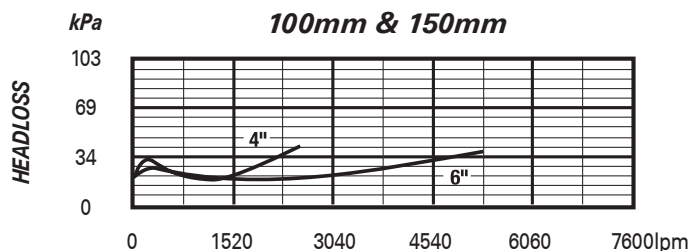
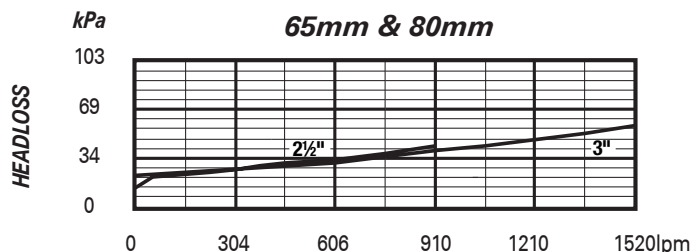
Typical Installation

- 850 Standard Assembly Device Only



Model 850 Double Check Assembly

Capacity



Job Name _____

Job Location _____

Engineer _____

Approval _____

Contractor _____

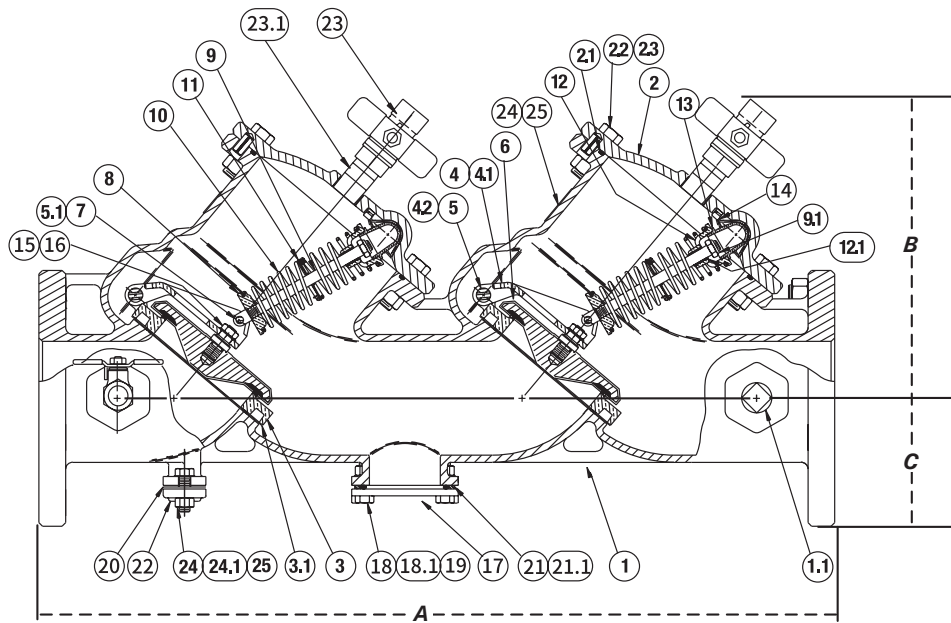
Approval _____

Contractor's P.O. No. _____

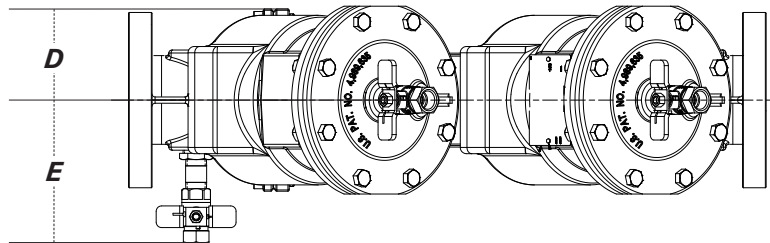
Representative _____

FEBCO product specifications in U.S. customary units and metric are approximate and are provided for reference only. For precise measurements, please contact FEBCO. FEBCO reserves the right to change or modify product design, construction, specifications, or materials without prior notice and without incurring any obligation to make such changes and modifications on FEBCO products previously or subsequently sold.

Model 850 / Materials of Construction



Top View



ITEM	DESCRIPTION	MATERIAL
1	Body	A536 GR 65-45-12
1.1	Pipe Plug	Galv. Steel
1.2	Bushing (2 1/2 -4 only)	Brass
2	Cover	A536 GR 65-45-12
2.1	O-Ring	EPDM ASTM D2000
2.2	Cap Screw	Plated Steel
2.3	Hex Nut	Plated Steel
3	Seat Ring	B584 Alloy C83600
3.1	Gasket	EPDM ASTM D2000
4	Arm	B584 Alloy C83600
4.1	Bushing-Swing Pin	Acetal Resin
4.2	Swing Pin	304 SS
5	Retaining Clip	302 SS
5.1	Retaining Clip	302 SS
6	Check Disk Assy	EPDM Coated GR, 45 Ductile Iron with type 304 SS stem
7	Load Pin	304 SS
8	Lwr Spring Retnr	B584 Alloy C83600
9	Spring Stem	304 SS
9.1	Elastic Stop Jam Nut	18-8 SS
10	Spring	A313 Type 631 SS
11	Spring Guide	B130 Alloy C22000
12	Upr Spring Retnr	B584 Alloy C83600
12.1	Bushing-Spr. Stem	Acetal Resin
13	Pivot Bearing	B585 Alloy C83600
14	Bearing Socket	Acetal Resin
15	Hex Jam Nut	18-8 SS
16	Washer	302 SS
17	Cover	A36 Stl Epoxy Coated
18	Bolt	Plated Steel
18.1	Washer	Plated Steel
19	Nut	Plated Steel
20	Gasket	EPDM ASTM D2000
21	O-Ring	EPDM ASTM D2000
21.1	Back-Up Ring	Acetal Resin
22	Cover	B584 Alloy C83600
23	Ball Valve	B584 Alloy C84400
23.1	Nipple	Brass—pls include
24	Id Plate	B36 Alloy C26000
25	Drive Screw	SS

Dimensions and Weights

SIZE (DN)	DIMENSIONS					
	A	B	C	D	E	Device
mm	mm	mm	mm	mm	mm	kg
65	648	254	83	64	181	37
80	651	254	93	197	187	39
100	711	257	108	229	206	48
150	883	324	140	286	251	82
200	1061	397	168	350	283	137

Note: Dimensions shown are nominal. Allowances must be made for normal manufacturing tolerances.



A WATTS Brand



USA: Fresno, CA • Tel: (559) 441-5300 • Fax: (559) 441-5301 • www.FEBCOonline.com
 Canada: Burlington, ON • Tel: (905) 332-4090 • Fax: (905) 332-7068 • www.FEBCOonline.ca